

STYRKA™



S5 SERIES

Binoculars

Warranty

It's all about the experience! At STYRKA, we strive to make sure your experience in the field is a great one. And we stand behind our products to do just that.

That's why the STYRKA Pride Warranty is so simple. In the event of damage or malfunction, we will repair or replace your STYRKA product free of charge. No questions asked. No registration required. No receipt needed. No matter who bought it. The only caveat? The warranty doesn't cover theft, loss or intentional damage.

It gets better. Send us your STYRKA product and we'll clean and tune it up once per year. Regular maintenance helps keep your STYRKA performing like the day you bought it.

Again, it's all about the experience, and we want yours with STYRKA to be the best.

Service and Repair

If warranty problems arise or repairs are necessary, contact the STYRKA customer service department at 1-844-211-6915. We promise prompt attention and service, as we understand the importance of optics to your hunting experience. And, we take pride in providing not only outstanding products, but excellent service as well.

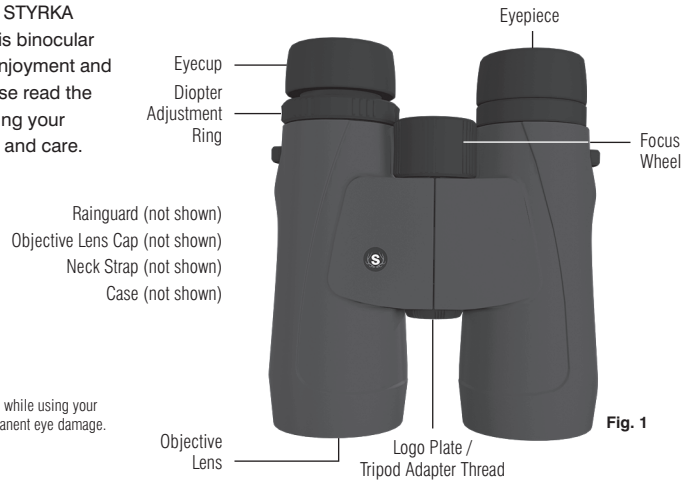


S5 SERIES

Binoculars

STYRKA S5 Series Binoculars

Thank you for purchasing your STYRKA S5 Binocular. We are certain this binocular will provide you with years of enjoyment and faithful service in the field. Please read the instructions carefully before using your binocular to ensure proper use and care.



⚠ WARNING: Never look at the sun while using your binocular. Looking at the sun can cause permanent eye damage.

Adjusting the Interpupillary Distance

The interpupillary distance, the distance between pupils, varies from person to person. The binocular must be correctly aligned (adjusted) to the distance between your pupils to achieve a single, clear image. To adjust this distance, lift the binocular up to your eyes (using both hands) and look through them at a distant object. Move the two barrels (halves) of the binocular closer together or further apart until you see a single, clear image. Check that the interpupillary distance is set correctly every time you use your binocular.



Setting the Diopter / Focusing

To ensure a crisp, sharp image the focusing system of the binocular must be set to compensate for any differences in your eyesight. This is achieved by setting the diopter (located on the right eyepiece) before use. To set the binocular to your eyesight follow the instructions below.

1. View an object in the distance through the binocular.
2. Cover the right objective lens with your hand or the objective lens cap.
3. Rotate the focus wheel until the image viewed with your left eye is clear and sharp.
4. Cover the left objective lens with your hand or objective lens cap.
5. Viewing the same object, adjust the diopter ring until the image viewed with your right eye is clear and sharp.

6. Your binocular is now adjusted to your eyes and focusing on any object can now be achieved by simply turning the focus wheel.

Tip: Eyeglasses worn for nearsightedness should be worn when using binoculars as you may not be able to obtain focus at infinity without them.



Fig. 3

Eyecup Adjustment

The STYRKA S5 Series features twist-up eyecups to accommodate both eyeglass and non-eyeglass wearers. If you do not wear eyeglasses, twist the eyecups counterclockwise until they reach the up position. If you wear eyeglasses, make sure that the eyecups are in the down position to obtain the maximum field of view. The eyecups can be set at positions between fully up and down which may better suit some users.

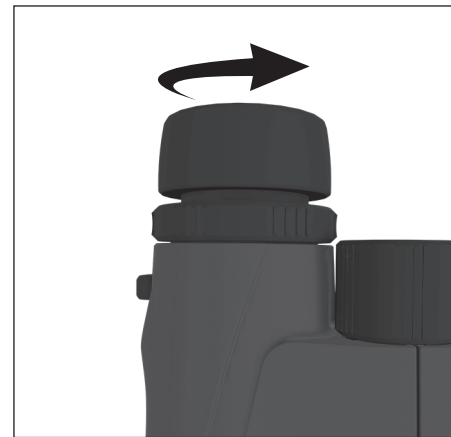


Fig. 4

Tripod Adaptability

STYRKA S5 Series binoculars feature built-in threads that allow the binocular to be attached to a tripod using a binocular tripod adapter. These threads can be accessed by unscrewing the logo plate found on the front of the hinge. To attach the binocular to a tripod, thread the adapter into the binocular and attach the other end of the adapter to a photographic tripod. Mounting the binocular on a tripod allows for added stability and comfort during prolonged viewing.



Fig. 5

Waterproof / Fogproof

STYRKA S5 Series binoculars are waterproof and filled with dry nitrogen gas to prevent the housing from fogging internally. This allows the binoculars to be used in all weather conditions.

Care and Storage

Your STYRKA binocular will provide you years of dependable service in the field if it is cared for and stored properly.

1. Protect the binocular from impact and do not force any of the moving parts beyond their limits.
2. Protect the optics of your binocular by putting on all lens caps when not in use.
3. Store your binocular in a cool, dry place whenever possible.
4. When storing for an extended period of time, place the binocular in a plastic bag or airtight container with a desiccant.
5. Do not leave the binocular in a car on a hot/sunny day or near anything that generates heat as this may cause damage.
6. Clean any dust, dirt or water that may get on the binocular or inside moving parts as soon as possible to prevent any unforeseen damage.

Cleaning

Proper cleaning of the lenses is essential to maintaining the optical integrity of your binocular. Dirty lenses diminish the amount of light transmitted through the binocular and your overall viewing experience.

1. Remove any dust on the lenses with a soft lens brush or can of pressurized air.
2. Using the Spudz microfiber cleaning cloth (included) remove any fingerprints, stains or smudges from the lens surface by rubbing in a circular motion. Start in the middle of the lens and work your way to the edges. Breathe lightly on the lens to provide moisture if needed.
3. For a more thorough cleaning we recommend the use of a lens/optics cleaning kit available at most photo or optical shops. Follow the directions supplied with the cleaning kit for best results.

Specifications

	8x32	8x42	10x42
Magnification	8x	8x	10x
Objective Lens Diameter	32mm	42mm	42mm
Angular Field of View	7.5°	6.5°	6.0°
Linear Field of View @ 1000yds	394ft	341ft	315ft
Exit Pupil	4mm	5.25mm	4.2mm
Eye Relief	19.5mm	19.5mm	16mm
Close Focus	4.9ft	8.2ft	8.2ft
Relative Brightness	16	27.5	17.6
Twilight Factor	16	18.3	20.5

Product design and specifications are subject to change without prior notification.

For complete specifications and product information, visit: WWW.STYRKASTRONG.COM

1284 Corporate Center Drive, Suite 175, Eagan, MN 55121 USA

Tel: 651.330.1505



STYRKA.STRONG.COM

©2015 STYRKA. All rights reserved. • Printed in China